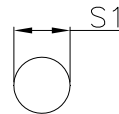
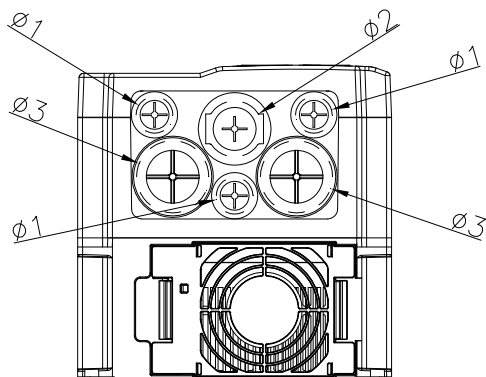
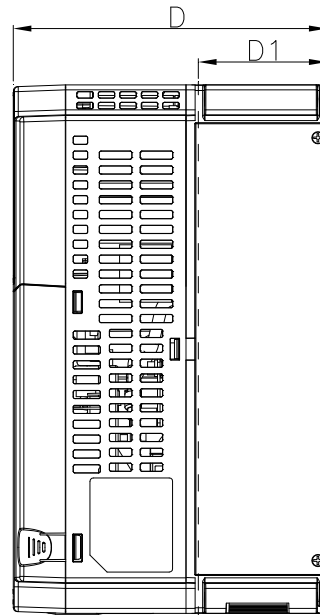
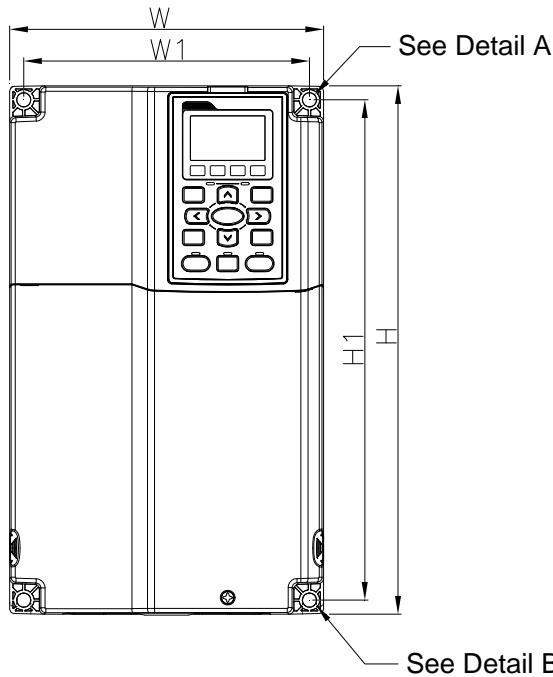


**Frame B**

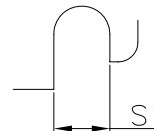
Corresponding models:

VFD075CP23A-21, VFD110CP23A-21, VFD150CP23A-21, VFD110CP43A-21,

VFD150CP43A-21, VFD185CP43A-21, VFD110CP4EA-21, VFD150CP4EA-21, VFD185CP4EA-21



Detail A (Mounting Hole)



Detail B (Mounting Hole)

Unit : mm [inch]

Frame	W	H	D	W1	H1	D1*	S1	Φ1	Φ2	Φ3
B	190.0 [7.48]	320.0 [12.60]	190.0 [7.48]	173.0 [6.81]	303.0 [11.93]	77.9 [3.07]	8.5 [0.33]	22.2 [0.87]	34.0 [1.34]	43.8 [1.72]

D1\* : Flange mounting

	<p>台達電子工業股份有限公司 <b>DELTA ELECTRONICS, INC.</b></p>
<p><b>THESE DRAWINGS AND SPECIFICATIONS ARE THE PROPERTY OF DELTA ELECTRONICS, INC. AND SHALL NOT BE REPRODUCED OR USED AS THE BASIS FOR THE MANUFACTURE OR SELL OF APPARATUSES OR DEVICES WITHOUT PERMISSION.</b></p>	
<p><b>DOCUMENT NAME</b></p>	<p><b>VFD-CP2000_Dimension for Frame B</b></p>